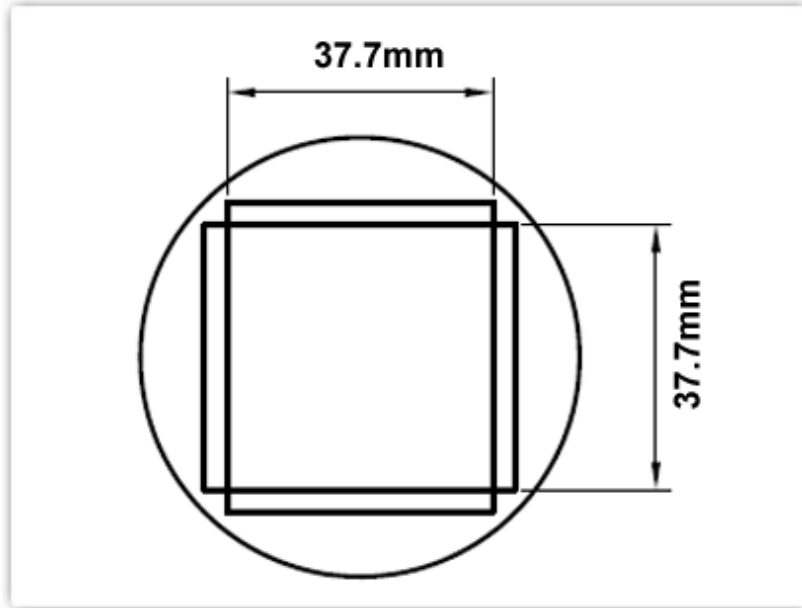


HTN-BQ196 Datasheet

Technical Specifications



HTN-BQ196

Nozzle 37.7mm x 37.7mm, BQFP-196

Nozzle Style: BQFP-196

Nozzle Width: 37.70mm (1.48")

Nozzle Height: 37.70mm (1.48")

Nozzle Type:	HTN Series
RoHS Compliant / Lead Free:	YES
Equivalent to:	H-BQ38
For Use With:	TMT-HA200, TMT-HA300, HCT-900

Material Composition

Stainless Steel



**All components
are RoHS
compliant and
Lead-Free.**

**Standard Connector
22mm (0.87") diameter**